



### Technical Data

For detailed data and product description refer to the data sheets at [www.pepperl-fuchs.com](http://www.pepperl-fuchs.com)

#### General Data

Rated operating distance	2 mm
Installation	flush
Type of voltage	DC
Operating voltage	10 ... 30 V
No-load supply current	≤ 15 mA
Reverse polarity protection	✓
Switching frequency	0 ... 1500 Hz
Operating current	0 ... 100 mA
Short-circuit protection	pulsing
Indication of the switching state	Multihole-LED, yellow
Ambient temperature	-25 ... 70 °C (-13 ... 158 °F)
Housing material	Stainless steel 1.4435 / AISI 316L
Protection degree	IP67
Connection type	M8 x 1 connector, 3-pin



### Properties

- Ø8 mm housing
- 2 mm, flush mountable
- DC, 3-wire switching output
- Connector version

#### Model Number

Switching element function	green = preferred type					
	NPN NO	●	●	●	●	●
PNP NO		●	●	●	●	●

#### Approvals and Certificates

UL approval	cULus Listed, General Purpose	●	●	●	●	●
CSA approval	cCSAus Listed, General Purpose	●	●	●	●	●
CCC approval	Products with a maximum operating voltage of ≤36 V do not bear a CCC marking because they do not require approval.					

#### Dimensions

Length L [mm]	24	29	44
Diameter D [mm]		8	
Thread length l <sub>t</sub> [mm]	20	25	40
Cap length l <sub>1</sub> [mm]		0	
Connector area l <sub>c</sub> [mm]		6	
LED position		Pos. B	

### Accessories

This and more accessories can be found in chapter 10

See pages from 972 ... for cordsets

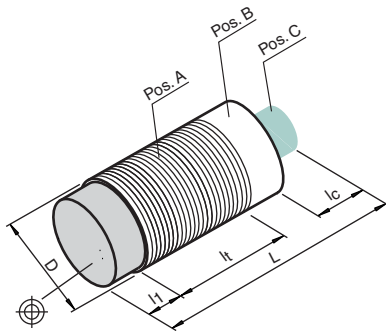
See pages 1068 ... for mounting aids

BF 8

Befestigungsflansch, 8 mm

V3-GMV4A-5M-PUR

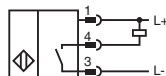
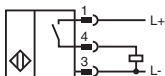
V3-WMV4A-5M-PUR



### Electrical Connection

NBB2-8GH20-E2-V3  
NBB2-8GH25-E2-V3  
NBB2-8GH40-E2-V3

NBB2-8GH20-E0-V3  
NBB2-8GH25-E0-V3  
NBB2-8GH40-E0-V3



Wire colors in accordance with EN 60947-5-2

1	BN	(brown)
3	BU	(blue)
4	BK	(black)

Date of issue 04/08/2015